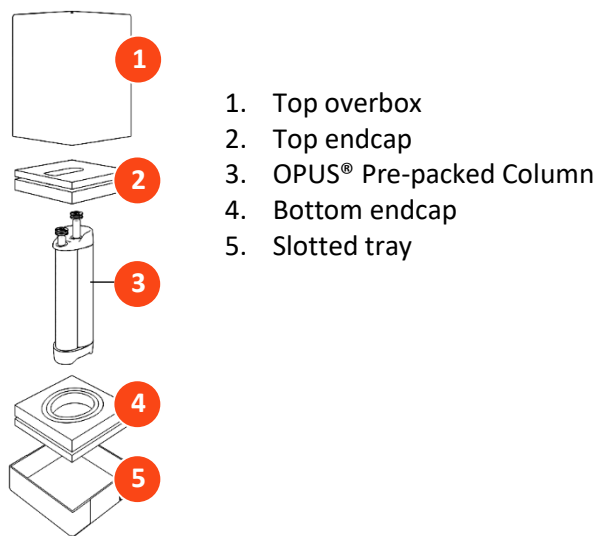


Read Prior to Removing the Column From the Box

1. Upon receipt of the OPUS® Pre-packed Column shipment:
 - Inspect the outside of the heavy duty cardboard carton for any unusual signs of damage.
 - Contact Repligen immediately if significant damage has occurred (see [page 2](#)).
 - Locate the shipping delivery documents attached to the outside of the box.
2. Open the packaging (packaging design is shown in [Figure 1](#)):
 - Lift the top over the box from the slotted tray (base of the packaging).
 - Locate the Certificate of Analysis (CoA) for the column.
 - Remove the top layer of protective foam (top endcap) to expose the column.
 - Columns shipped with tubing sets attached: take care in lifting the top endcap from the packaging so as to not torque or strain the assembled tubing set (see [Figure 1b](#)).
 - Contact Repligen immediately if tubing set appears damaged.
 - For GMP Run Ready OPUS® Pre-packed Columns, locate the QC resin sample and store as specified by the resin manufacturer.
 - In some cases, resin not used during column packing may also be shipped with the column. A container of excess resin may be in the column box or in a separate box.

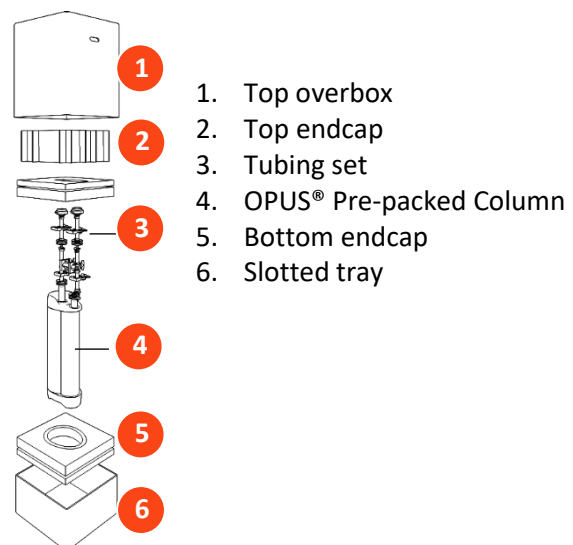
Figure 1. OPUS® Column shipping assembly, 10 - 30 cm ID

A. OPUS® Pre-packed Column



1. Top overbox
2. Top endcap
3. OPUS® Pre-packed Column
4. Bottom endcap
5. Slotted tray

B. OPUS® Pre-packed Column with tubing set attached



1. Top overbox
2. Top endcap
3. Tubing set
4. OPUS® Pre-packed Column
5. Bottom endcap
6. Slotted tray

3. Remove the OPUS® Pre-packed Column from the box:
 - For maximum cleanliness, keep the clear plastic bag containing the column intact throughout Step 3.
 - Reference [Table 1](#) below for the approximate column weight.
 - For 10 - 14 cm ID columns, use two hands to grab the column and lift it from the box.
 - For 20 - 30 cm ID columns, have two (2) people grab one handle each, lift the column slowly up from the bottom endcap, and place it carefully on to the floor.

Table 1. Approximate weight of OPUS® Pre-packed Columns, 10-30 cm ID

Bed height	Column diameter				
	10 cm	14 cm	20 cm	25 cm	30 cm
10 cm	2.5 kg	5 kg	8 kg	13 kg	18 kg
15 cm	3.0 kg	6 kg	10 kg	16 kg	22 kg
20 cm	3.5 kg	7 kg	12 kg	19 kg	26 kg
30 cm	4.0 kg	9 kg	16 kg	24 kg	34 kg

4. If you are not ready to use the column, leave the clear plastic bag intact and store the column according to the recommendations of the resin manufacturer.

OPUS® Pre-packed Chromatography Columns User Guide



Full User Guide available at
www.repligen.com/resources/quality

Contact information

For more information or questions, please contact Repligen:

Customer Support USA

customerserviceUS@repligen.com

+1-781-250-0111

Repligen Corporation

41 Seyon Street Building #1, Suite 100
 Waltham, MA 02453

Customer Support Europe

customerserviceEU@repligen.com

+31 76 5719 419

Repligen Europe B.V.

Hoeksteen 13
 4815 PR BREDA
 The Netherlands

©2021 Repligen Corporation. All rights reserved. The trademarks mentioned herein are the property of Repligen Corporation and/or its affiliate(s) or their respective owners.